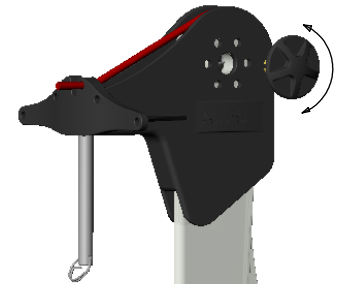
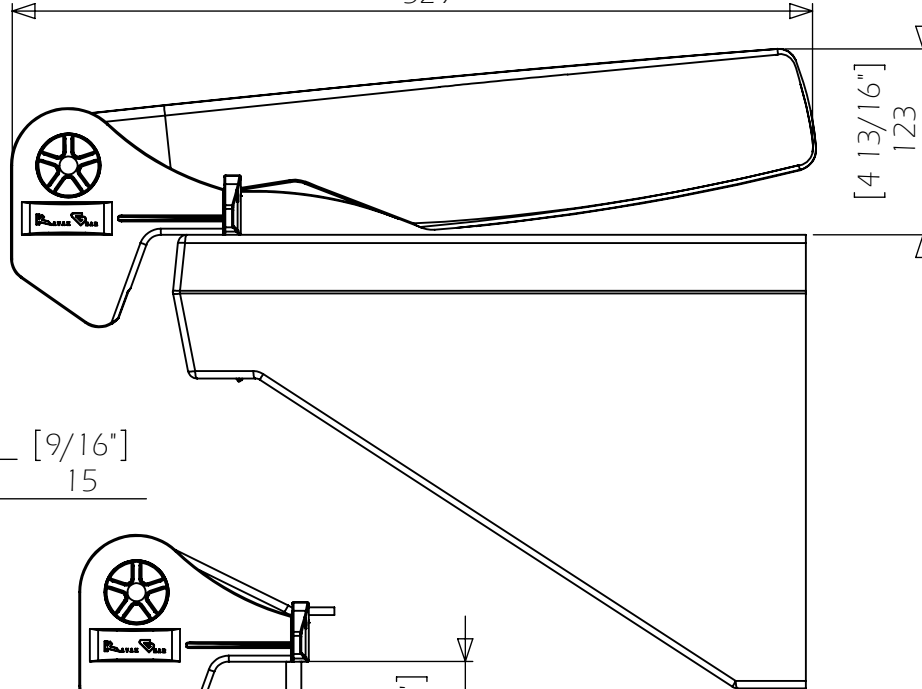
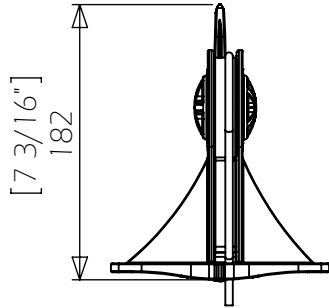




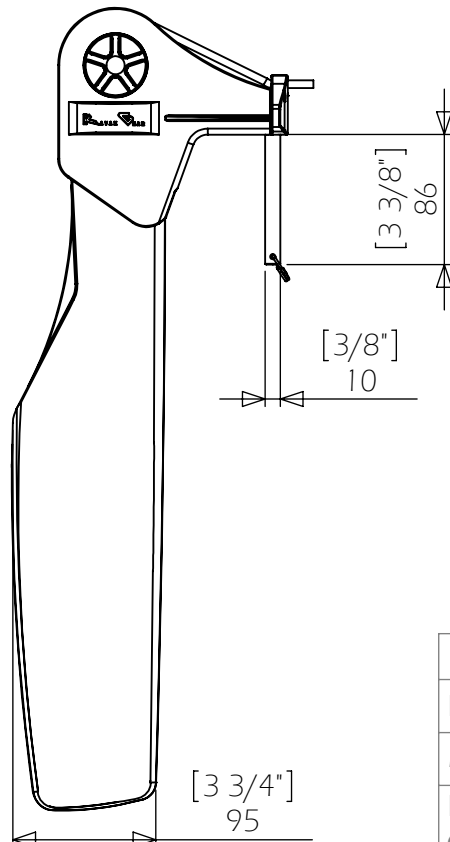
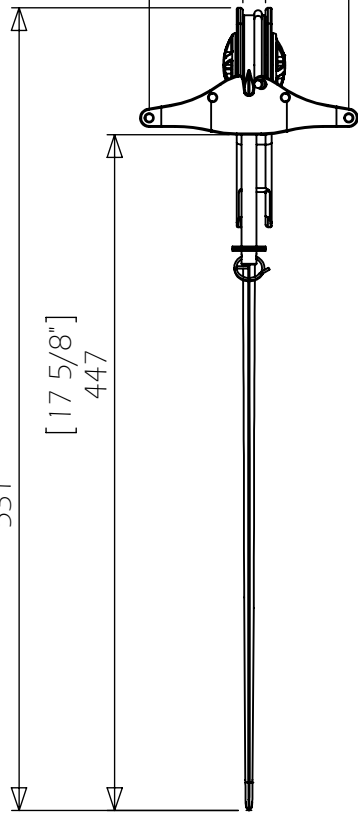
[20 13/16"]
529

SPINNING THE TENSION WHEEL
ALLOWS TO ADJUST THE RETURN
FORCE ON THE RUDDER BLADE.



[5 3/16"]
132

[9/16"]
15



REFERENCE:	52920	SCALE:	UNITS:	DATE:
ITEM:	ESCAPE RUDDER STND PIN			
MATERIAL:	POLYAMIDE / INOX	1:5	[inch] mm	11/10/07
FINISH:	SANDBLASTED			
COLOR:	BLACK / BROKEN WHITE	DRAWN:	FJ	A4