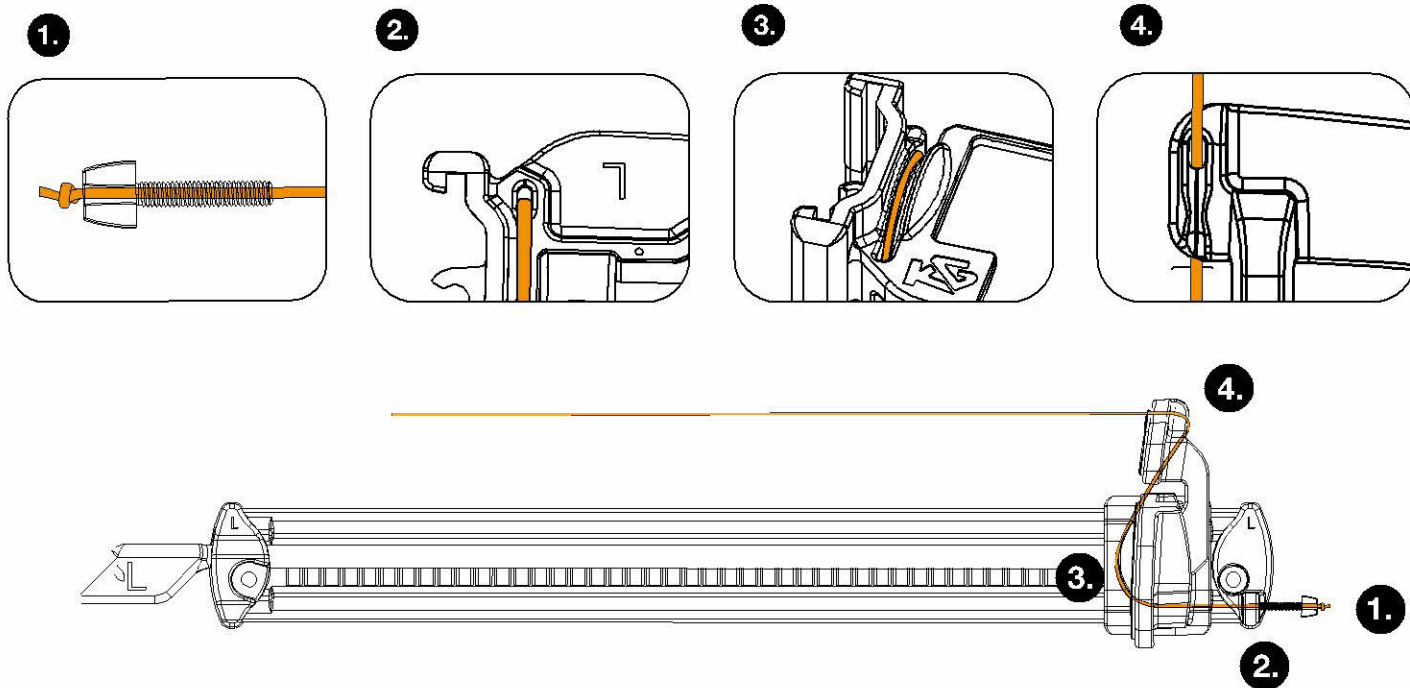


RIGGING INSTRUCTIONS



ADJUSTING RUDDER PEDAL ANGLE / RUDDER LINE LENGTH

